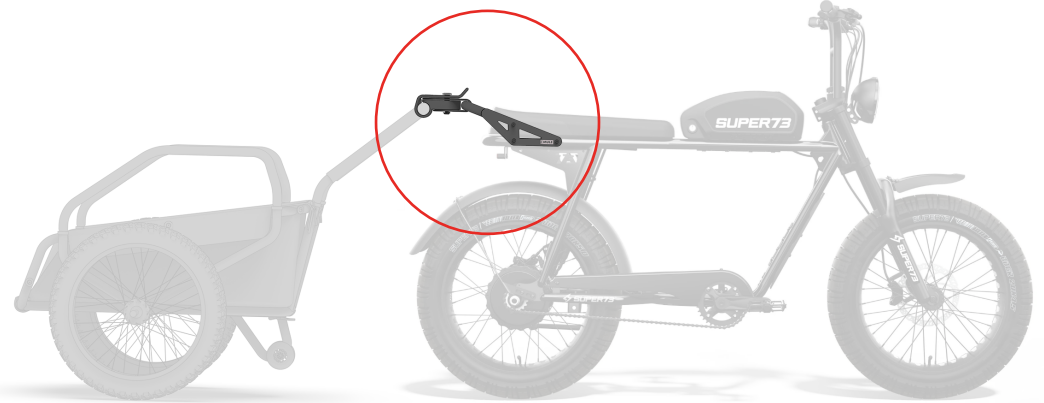
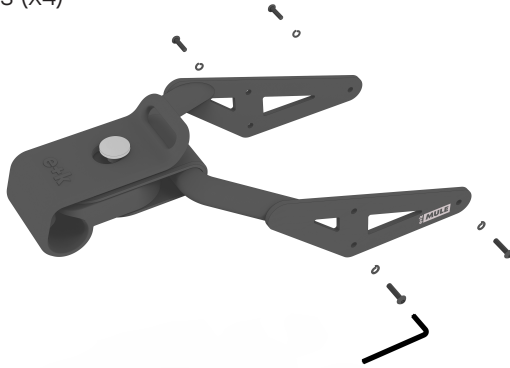


**Included in the package:**

- e+kMULE Quickrack (x1)
- Tamper-Resistant Button Head Torx Screws (x4)
- M5 Lock Washers (x4)
- T25 Torx Key (x1)



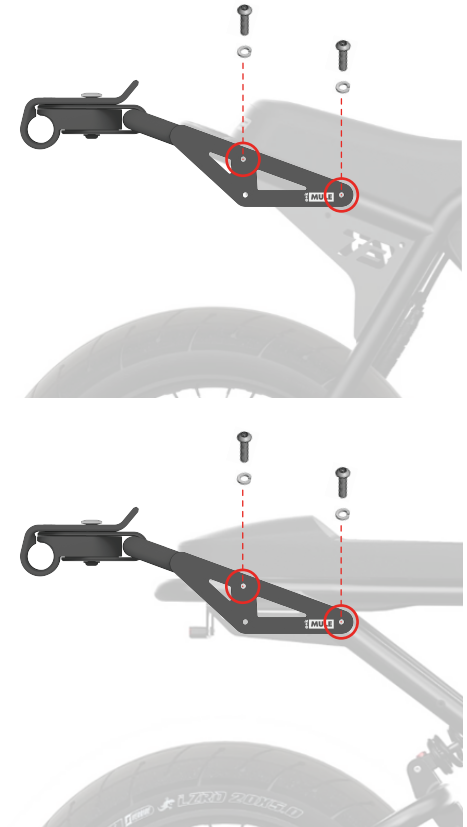
## SUPER73-S Series INSTALLATION

- 1 Align QUICKRACK so that **lower holes** align with mounting holes on your SUPER73-S bike frame.
- 2 One at a time, feed a washer onto a screw, then feed the screw through the QUICKRACK and into the bike frame. Tighten loosely.
- 3 Repeat in 4 places, 2 per side.
- 4 With the 4 sets of washers and screws loosely in place use your Torx Key to securely anchor all hardware in place.
- 5 Ensure all screws are securely fastened and rubber latch is parallel with the ground before riding or towing the MULE.



## SUPER73-R/Z Series INSTALLATION

- 1 Align QUICKRACK so that **upper holes** align with mounting holes on your SUPER73-R or SUPER73-Z bike frame.
- 2 One at a time, feed a washer onto a screw, then feed the screw through the QUICKRACK and into the bike frame. Tighten loosely.
- 3 Repeat in 4 places, 2 per side.
- 4 With the 4 sets of washers and screws loosely in place use your Torx Key to securely anchor all hardware in place.
- 5 Ensure all screws are securely fastened and that rubber latch is parallel with the ground before riding or towing the MULE.



**MULE Weight Capacity Limit - 100lbs**  
**Speed Limit when towing - 5mph**

**MULE Weight Capacity Limit - 100lbs**  
**Speed Limit when towing - 5mph**