

# JackRabbit XG Instructions



Earth+Kin has partnered with JackRabbit to allow the e+kMULE to be used anywhere the JackRabbit goes. When towing the e+kMULE with the JackRabbit, *only use the custom connector in this packet*. Do not use the traditional rear axle plate that ships with the e+kMULE. Doing so will void the warranty for your JackRabbit!

## What's in the box



1 - JackRabbitXG custom connector



1 - Spacer



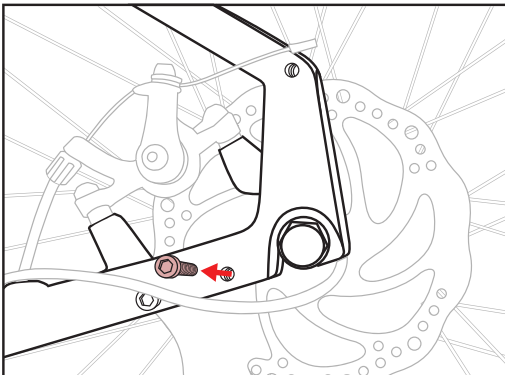
1 - M5x20 Hex Bolt  
1 - M6x30 Hex Bolt



1 - M5 Hex key  
1 - M6 Hex key

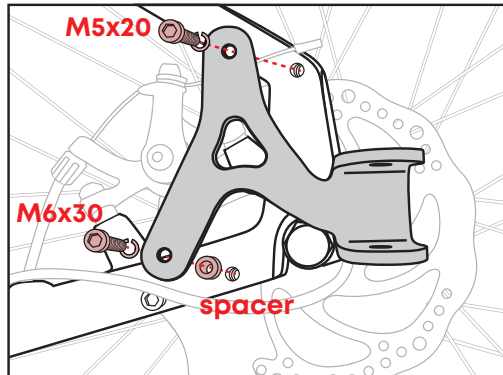
## Instructions

1



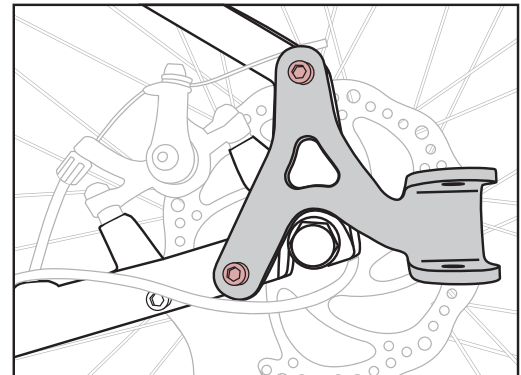
Remove the existing rear most M6 bolt from the JackRabbit frame kickstand plate, as shown above.

2



Thread M5 bolt and lockwasher through the upper hole in MULE connector. Thread the M6 bolt and lockwasher through the lower hole in connector, then the spacer, and into the JackRabbit frame.

3



Use the L-shaped Hex key to tighten the bolts. If using torque wrench, tighten to 12 N m.