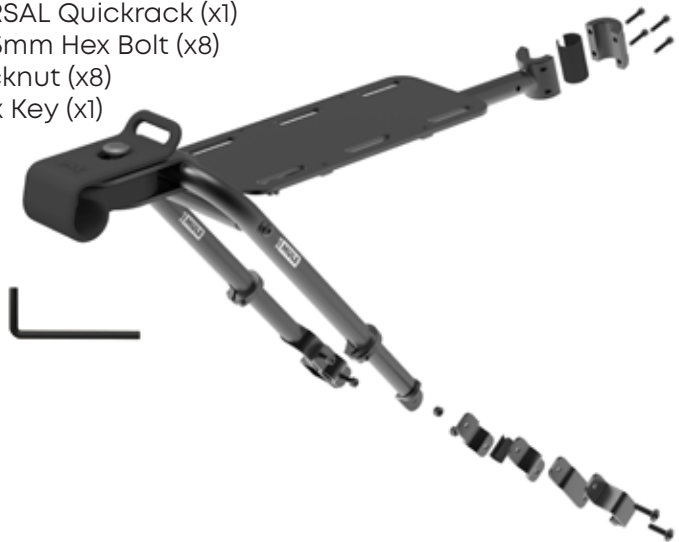


Included in the package:

- UNIVERSAL Quickrack (x1)
- M5 x 45mm Hex Bolt (x8)
- M5 Locknut (x8)
- M5 Hex Key (x1)



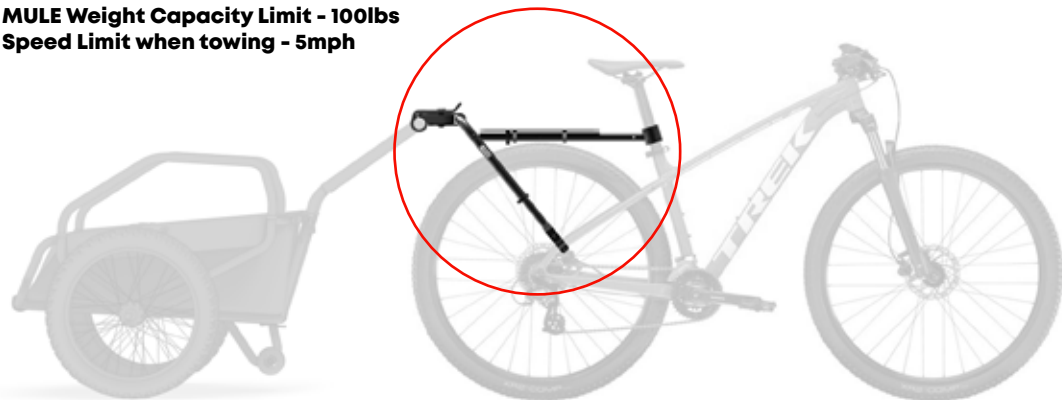
⚠ WARNING

The MULE is a wild animal!

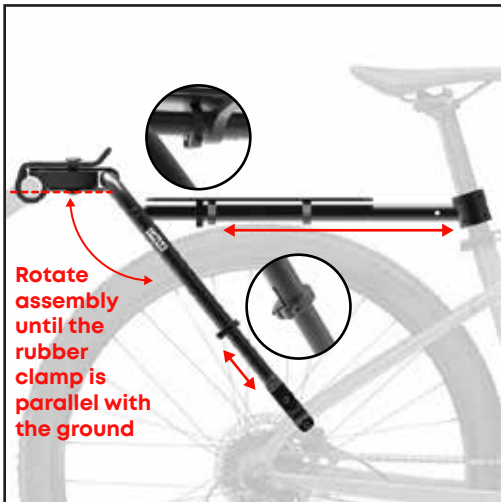
Before towing it carefully review the Safety Guidelines in your Owner's Manual. Failure to do so could result in **SERIOUS INJURY** or **DEATH**.



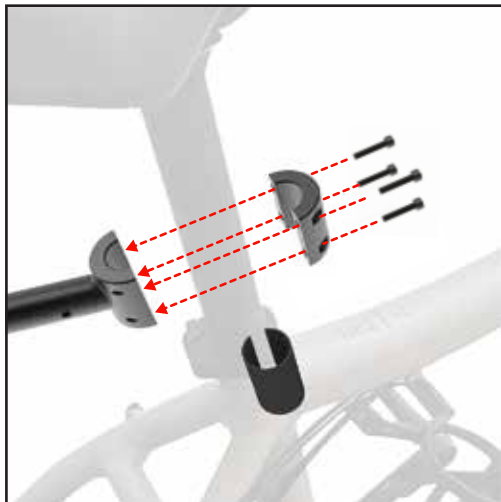
MULE Weight Capacity Limit - 100lbs
Speed Limit when towing - 5mph



MTB/Gravel/Road Bike INSTALLATION



1 Loosen set screws, adjust the seat tube extender and rear fork extender so that they align with your bikes frame. Make sure the Quickrack rubber clamp is parallel with the ground. Tighten set screws.



2 Place rubber gasket around bike seat tube. Thread 4 bolts through the loose side of the C-clamp and tighten to the rack side of the C-clamp.



3 Place rubber gasket over your bikes rear fork frame. Position the clamp brackets over the gasket and frame.



4 Thread bolts through the extender tube, through the clamp brackets and into the locknuts, tighten firmly. Repeat on the other side.