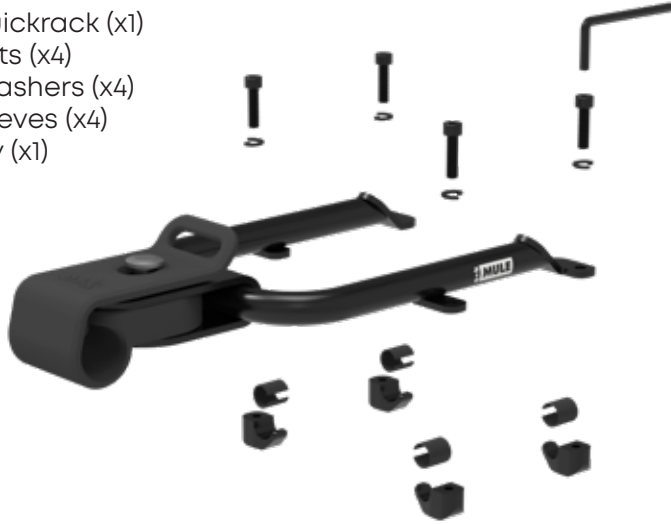


**Included in the package:**

- Pedego Quickrack (x1)
- M8 Hex Bolts (x4)
- M8 Lock Washers (x4)
- Rubber Sleeves (x4)
- M8 Hex Key (x1)



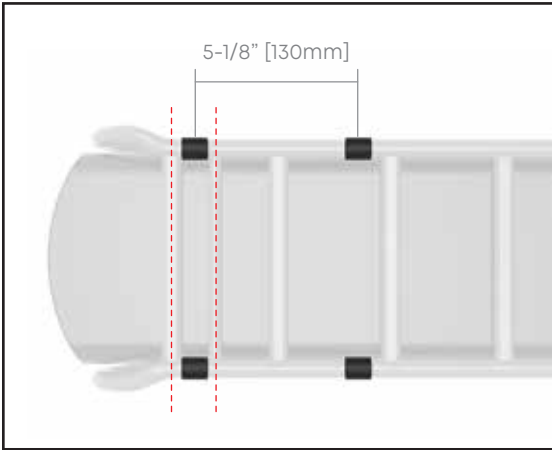
**⚠WARNING**

*The MULE is a wild animal!*

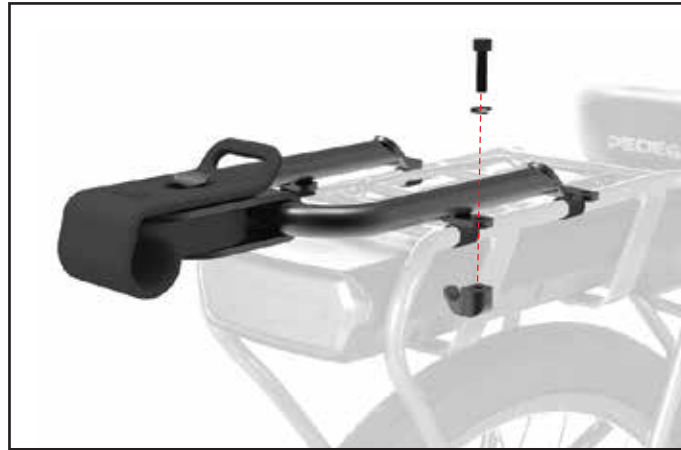
Before towing it carefully review the Safety Guidelines in your Owner's Manual. Failure to do so could result in **SERIOUS INJURY** or **DEATH**.



**PEDEGO INSTALLATION**



**1** Place the 4 rubber protective sleeves over the Pedego frame. Make sure the rearmost sleeves are aligned between rearmost cross tubes.



**2** Place the QuickRack on top of the protective sleeves. Align lower frame clamp with M8 bolt and Lock Washer.



**3** Thread bolt through lock washer, through upper bracket and into lower clamp. Loosely tighten bolt into lower clamp. Repeat loosely in 4 places before firmly tightening all bolts. If using a torque wrench, tighten to 12 N-m.